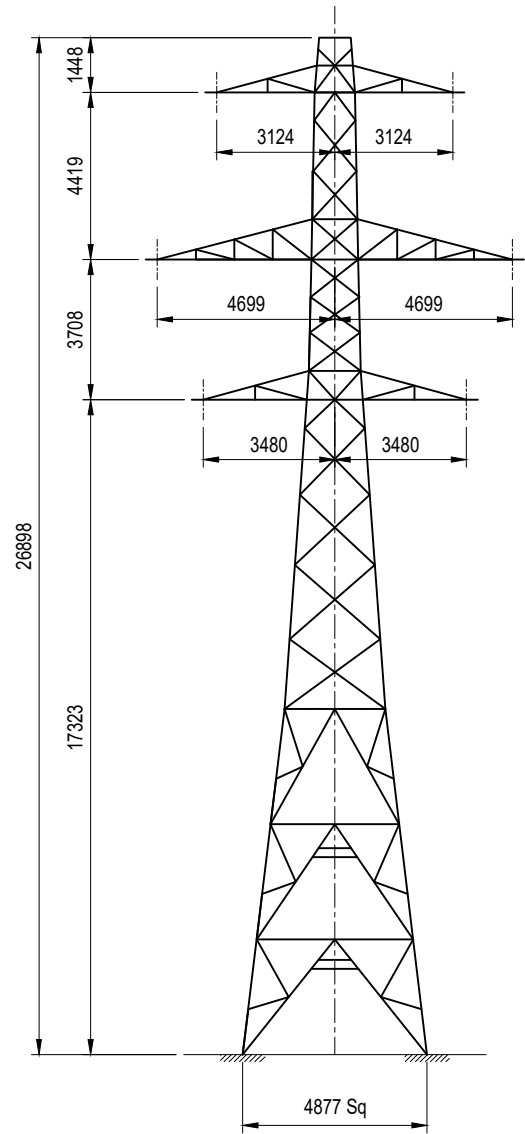
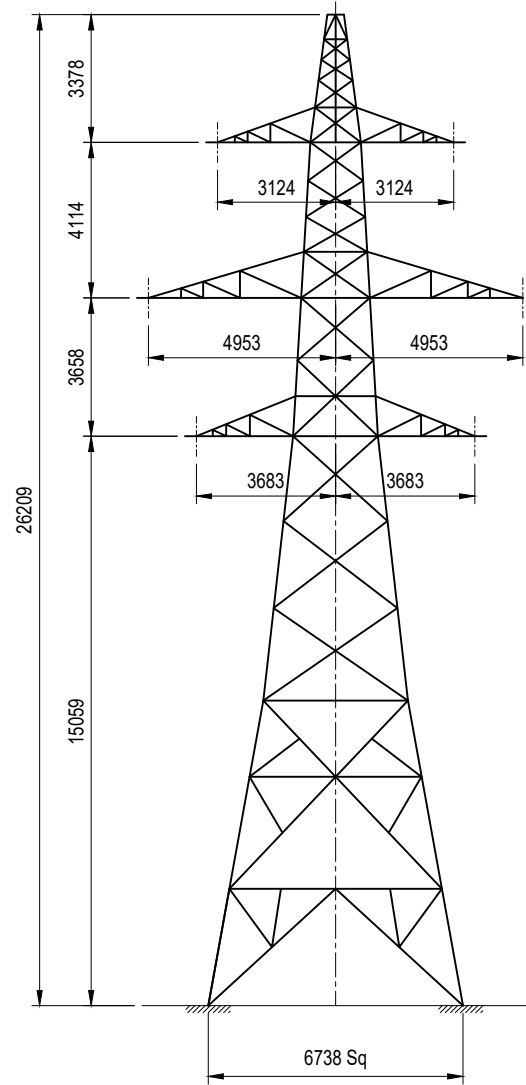


GENERAL NOTES:

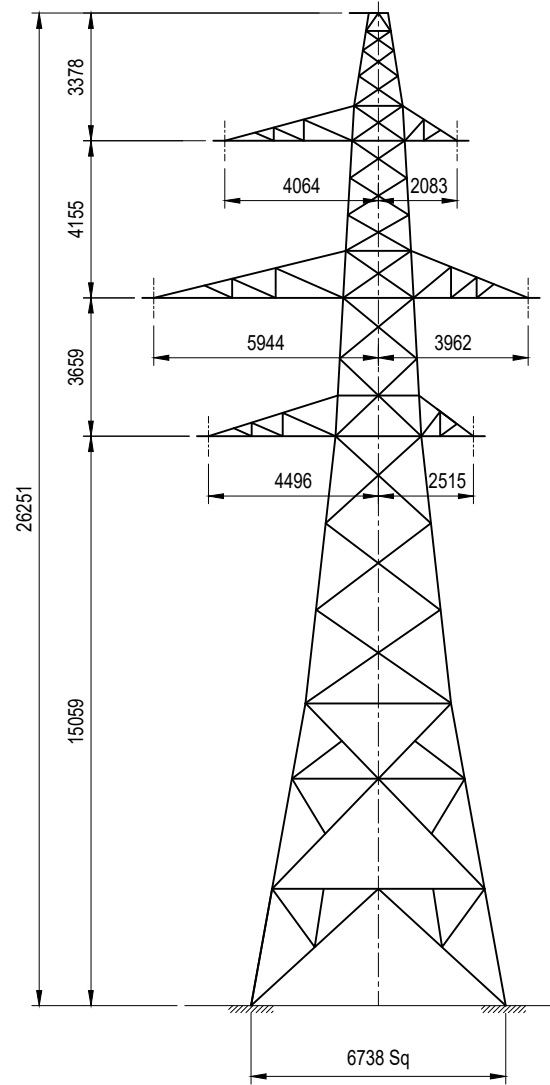
1. ALL DIMENSIONS ARE IN MILLIMETRES (mm) UNLESS OTHERWISE STATED.
2. EACH TOWER TYPE CAN BE EXTENDED IN HEIGHT EITHER -3m, 3m, 6m, 9m OR 12m. HEIGHT OF THE TOWER AT EACH LOCATION WILL BE DETERMINED TO KEEP STATUTORY CLEARANCE REQUIREMENT.



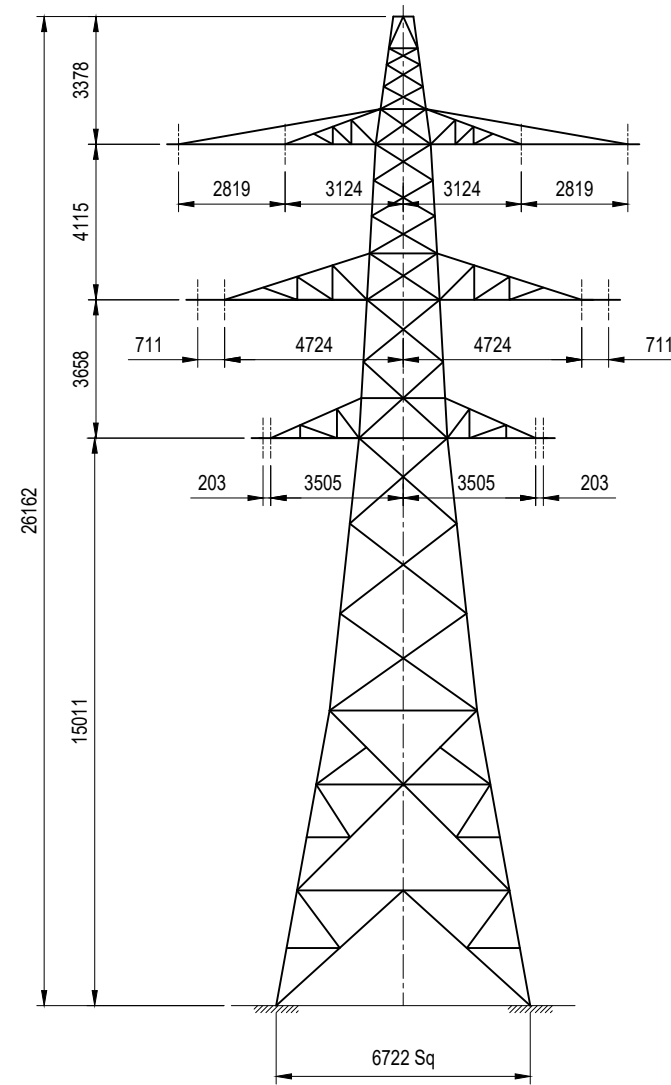
SUSPENSION TOWER - L7c D STD  
 1:200



ANGLE TOWER - L7c D30 STD  
 1:200



ANGLE TOWER - L7c D60 STD  
 1:200



TERMINAL TOWER L7c DT STD  
 1:200

FOR CONSULTATION PURPOSES ONLY

A	16/12/24	FOR INFORMATION	GH	RA	AR
ISSUE	DATE	COMMENTS	DRAWN	CHK'D	APP'D

PROJECT:  
 VYRNWY FRANKTON CONNECTION PROJECT



TITLE:  
 TYPICAL TOWER  
 GENERAL ARRANGEMENT DESIGNS

CIRCUIT / SITE:  
 DWG

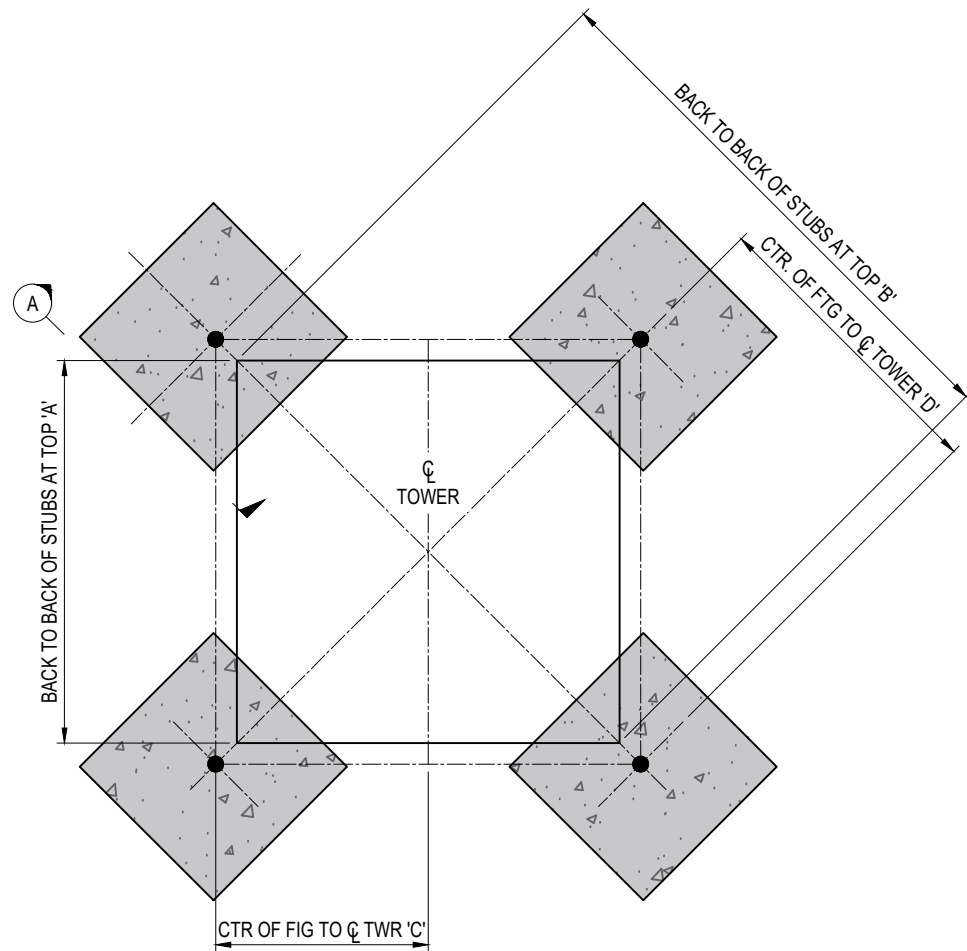
ORIGINATOR DRAWING No:  
 331201487-STN-35-XX-GA-OH-265  
 A3

GGENC DRAWING No: SHEET: 01 OF: 01 ISSUE: A

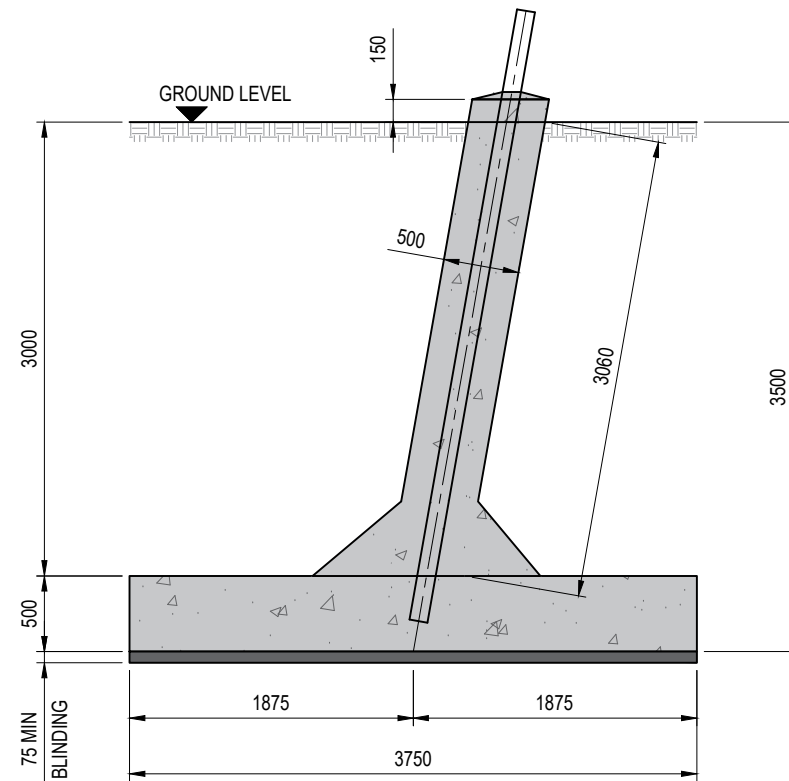
SCALE: AS SHOWN

GENERAL NOTES:

- ALL DIMENSIONS ARE IN MILLIMETERS



'D' SETTING OUT DIAGRAM  
 1:150



VIEW ON A-A  
 1:50

SETTING OUT DIMENSIONS				
TOWER	A	B	C	D
M3	3905	5523	2370	3350
D STD	4642	6564	2740	3870
E3	5378	7607	3110	4390
E5	6115	8648	3475	4920
E9	6852	9689	3840	5440
E12	7588	10732	4210	5960
E15	8325	11773	4580	6480
E18	9061	12814	4950	7000

D				
PAD SIZE (m)	COLUMN SIZE (m)	REINFORCEMENT (kg)	VOLUME (m <sup>3</sup> )	EXCAVATION VOLUME (m <sup>3</sup> )
3.75 x 3.75 x 0.5	0.5 x 0.5 x 3.0	500	7.78	50
TOTAL:		2000	31.12	200

FOR CONSULTATION PURPOSES ONLY

ISSUE	DATE	COMMENTS	DRAWN	CHK'D	APP'D
A	16/12/24	FOR INFORMATION	GH	RA	AR

PROJECT:  
 VYRNWY FRANKTON CONNECTION PROJECT



TITLE:  
 INDICATIVE FOUNDATION DRAWING  
 L7(C) D TYPE

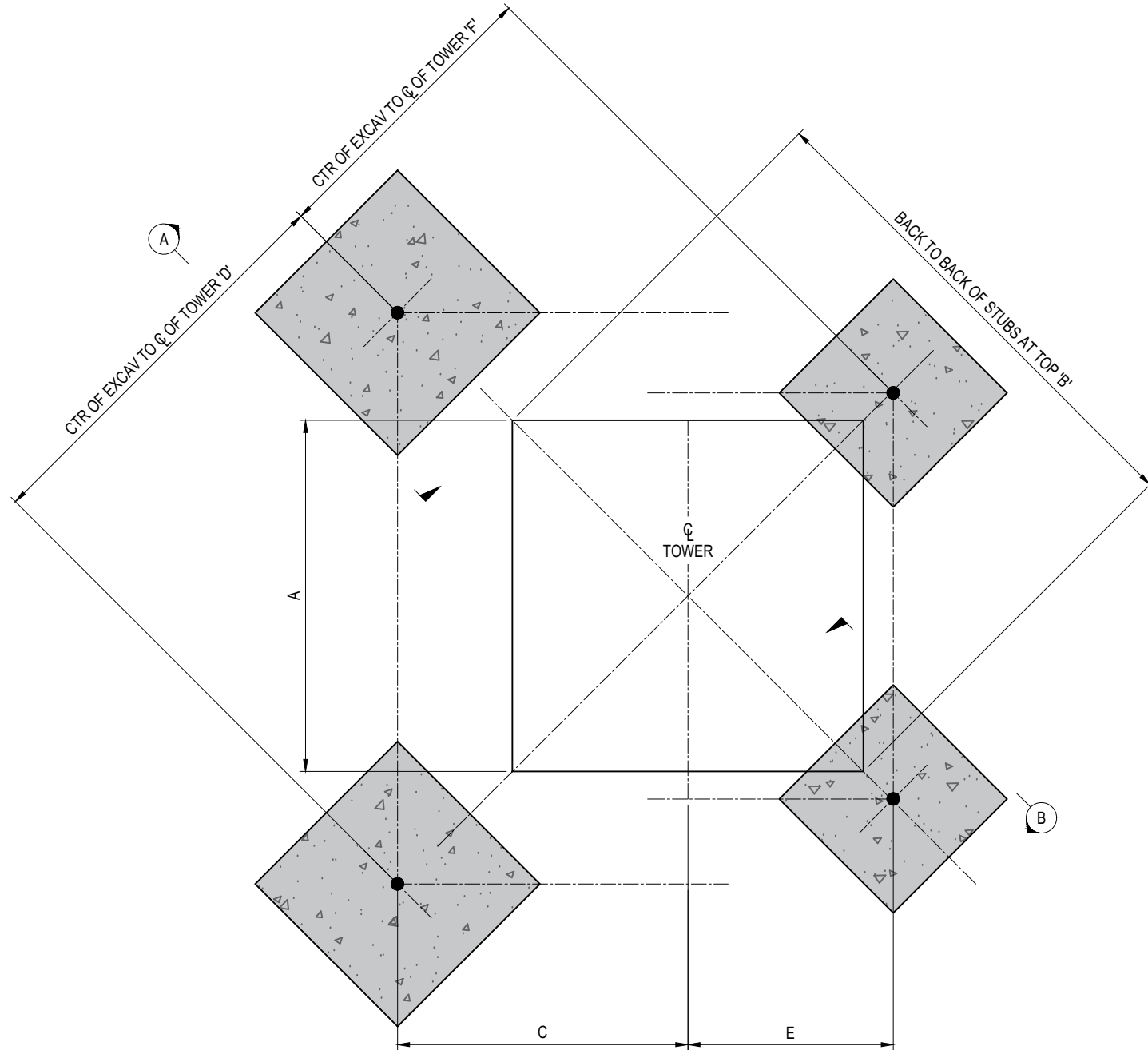
CIRCUIT / SITE:  
 DWG

ORIGINATOR DRAWING No:  
 331201487-STN-17-XX-GA-OH-240  
 A3

GGENC DRAWING No: SHEET: 01 OF: 01 ISSUE: A  
 SCALE: AS SHOWN

GENERAL NOTES:

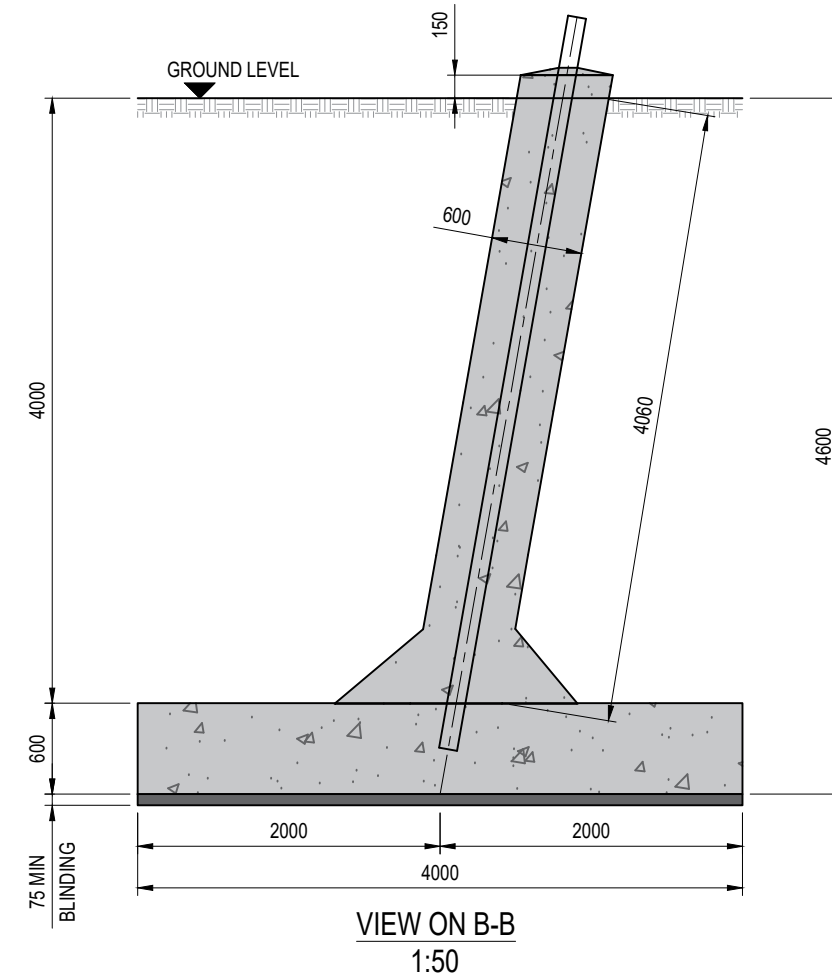
1. ALL DIMENSIONS ARE IN MILLIMETERS



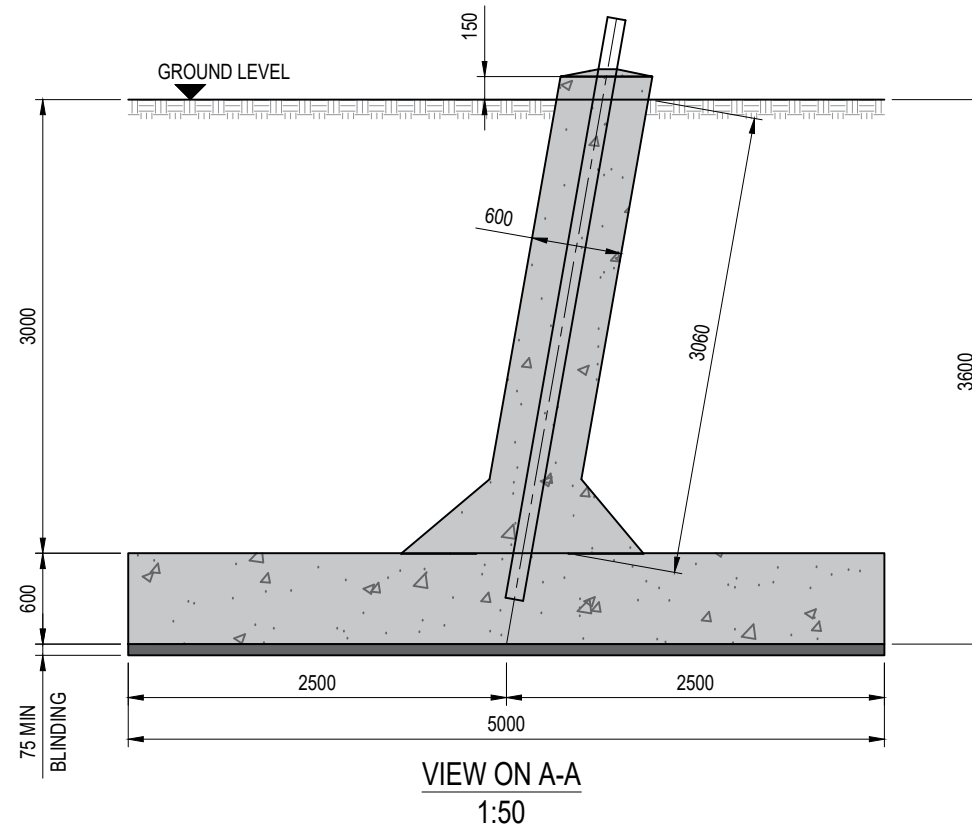
'D30' SETTING OUT DIAGRAM  
1:150

SETTING OUT DIMENSIONS						
TOWER	A	B	C	D	E	F
M3	5412	7654	3445	4875	3200	4525
D30 STD	6513	9211	4000	5650	3750	5305
E3	7614	10768	4550	6430	4300	6080
E6	8715	12325	5100	7210	4850	6860
E9	9816	13882	5650	7990	5400	7640
E12	10917	15439	6200	8765	5950	8420
E15	12018	16996	6750	9545	6500	9165
E18	13119	18553	7300	10325	7050	9975
E21	14220	20110	7850	11100	7600	10750

	D30				
	PAD SIZE (m)	COLUMN SIZE (m)	REINFORCEMENT (kg)	VOLUME (m <sup>3</sup> )	EXCAVATION VOLUME (m <sup>3</sup> )
COMPLEGS	5x5x0.6	0.6x0.6x3.0	1250	16.08	90
LIFT LEGS	4x4x0.6	0.6x0.6x4.0	1000	11.04	73.6
	TOTAL:		4500	54.24	327.2



VIEW ON B-B  
1:50



VIEW ON A-A  
1:50

FOR CONSULTATION PURPOSES ONLY

ISSUE	DATE	COMMENTS	GH	RA	AR
A	16/12/24	FOR INFORMATION			

PROJECT:  
VYRNWY FRANKTON CONNECTION PROJECT



TITLE:  
INDICATIVE FOUNDATION DRAWING  
L7(C) D30 TYPE

CIRCUIT / SITE:  
  
DWG

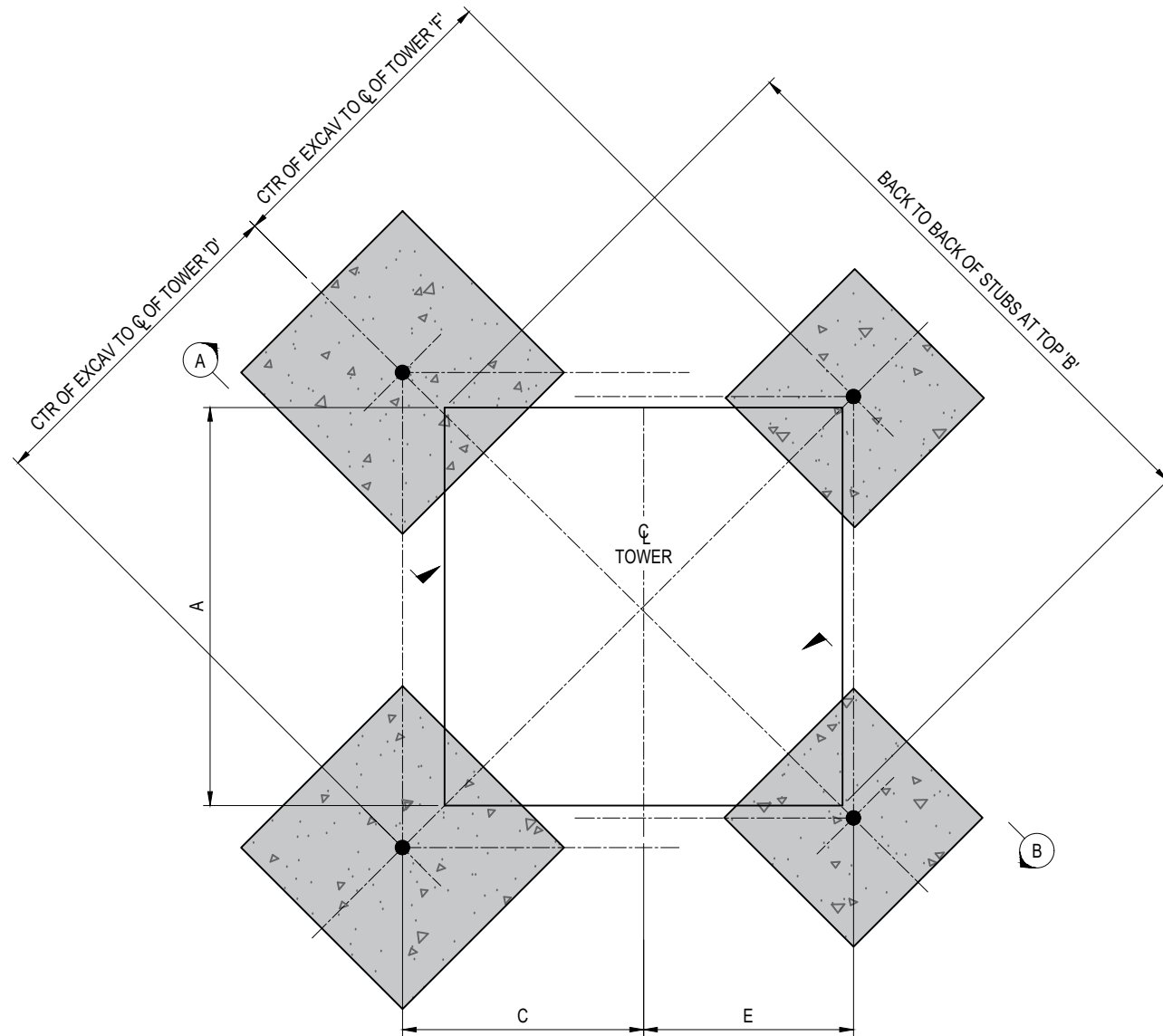
ORIGINATOR DRAWING No:  
331201487-STN-17-XX-GA-OH-241  
A3

GGENC DRAWING No: SHEET: 01 OF: 01 ISSUE: A

SCALE: AS SHOWN

GENERAL NOTES:

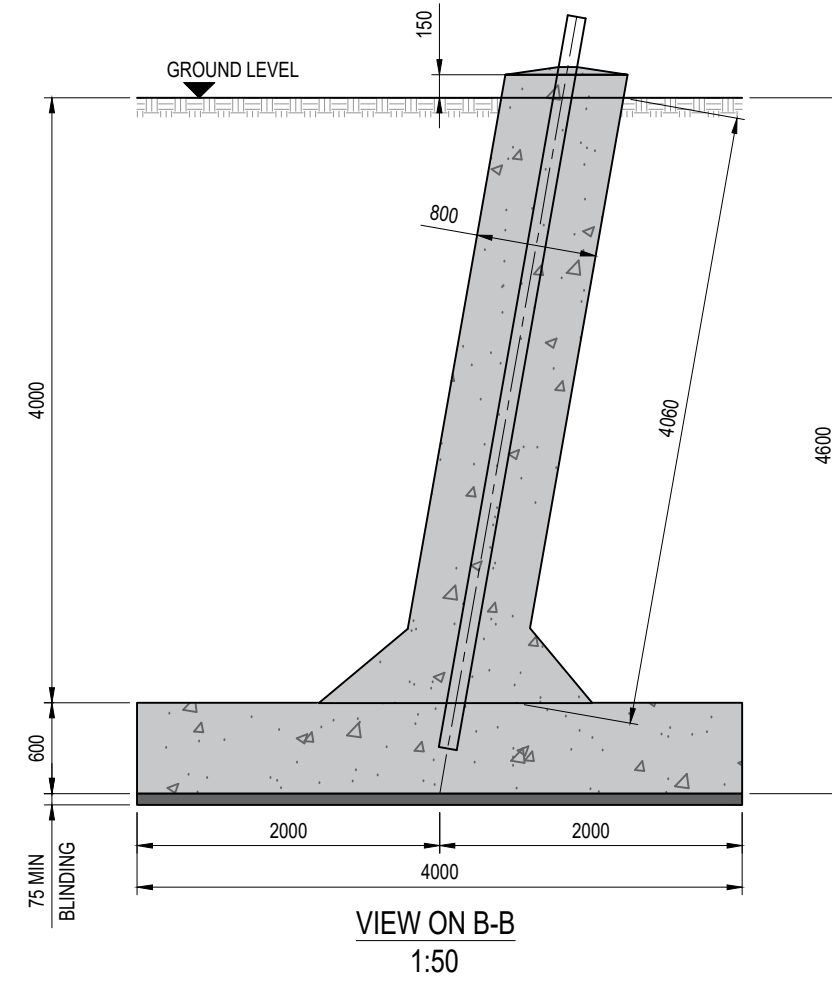
1. ALL DIMENSIONS ARE IN MILLIMETERS



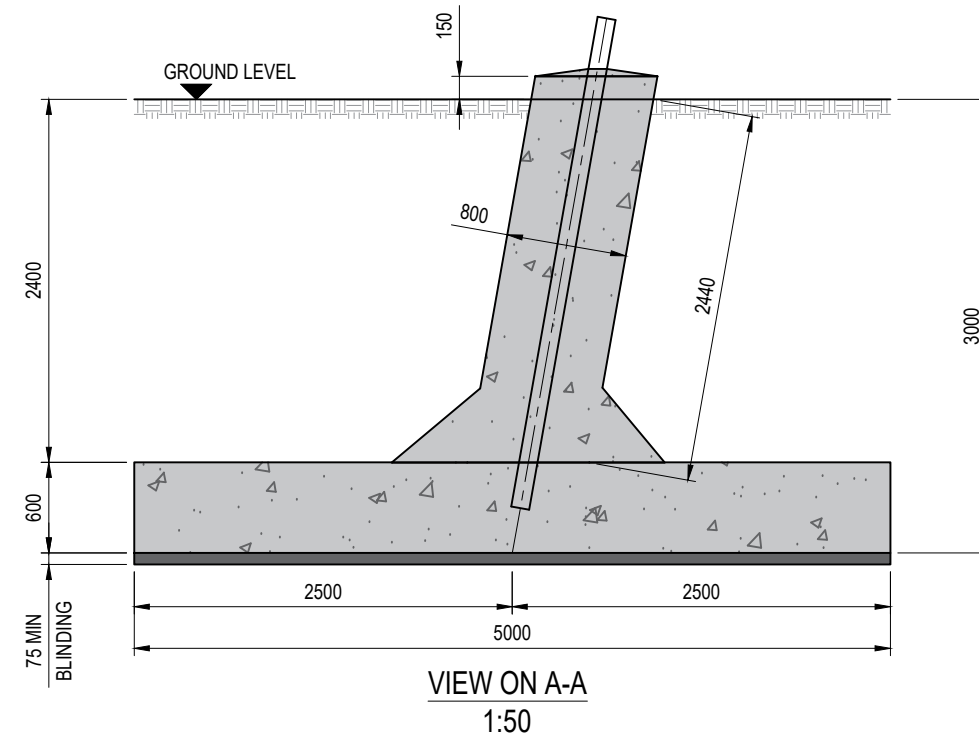
'D60' SETTING OUT DIAGRAM  
1:150

SETTING OUT DIMENSIONS						
TOWER	A	B	C	D	E	F
M3	5412	7654	3540	5000	3035	4295
D30 STD	6513	9211	4090	5785	3585	5070
E3	7614	10768	4640	6560	4135	5850
EB	8715	12325	5190	7340	4685	6630
EB	9816	13882	5740	8120	5235	7410
E12	10917	15439	6290	8900	5790	8185
E15	12018	16996	6840	9675	6340	8965
E18	13119	18553	7390	10455	6890	9745
E21	14220	20110	7940	11235	7440	10520

	D60				
	PAD SIZE (m)	COLUMN SIZE (m)	REINFORCEMENT (kg)	VOLUME (m <sup>3</sup> )	EXCAVATION VOLUME (m <sup>3</sup> )
COMPLEGS	5x5x0.6	0.8x0.8x2.5	1500	16.60	75
UPLIFT LEGS	4x4x0.6	0.8x0.8x4.0	1300	12.16	73.6
TOTAL:			5600	57.52	297.2



VIEW ON B-B  
1:50



VIEW ON A-A  
1:50

FOR CONSULTATION PURPOSES ONLY

ISSUE	DATE	COMMENTS	DRAWN	CHK'D	APP'D
A	16/12/24	FOR INFORMATION	GH	RA	AR

PROJECT:  
VYRNWY FRANKTON CONNECTION PROJECT



TITLE:  
INDICATIVE FOUNDATION DRAWING  
L7(C) D60 TYPE

CIRCUIT / SITE:  
DWG

ORIGINATOR DRAWING No:  
331201487-STN-17-XX-GA-OH-242  
A3

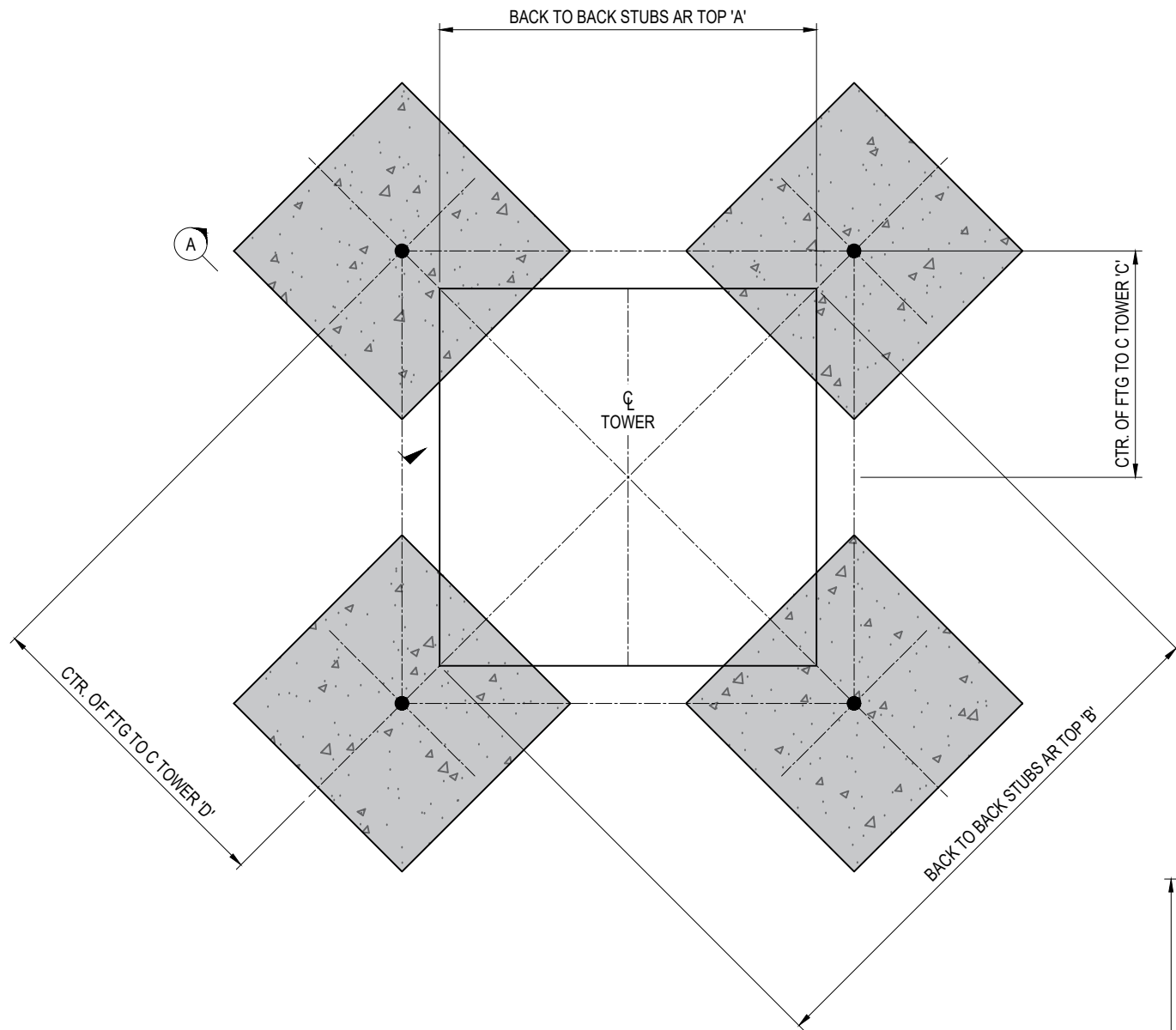
GGENC DRAWING No: SHEET: 01 OF: 01 ISSUE: A  
SCALE: AS SHOWN

GENERAL NOTES:

- ALL DIMENSIONS ARE IN MILLIMETERS

A  
B  
C  
D  
E

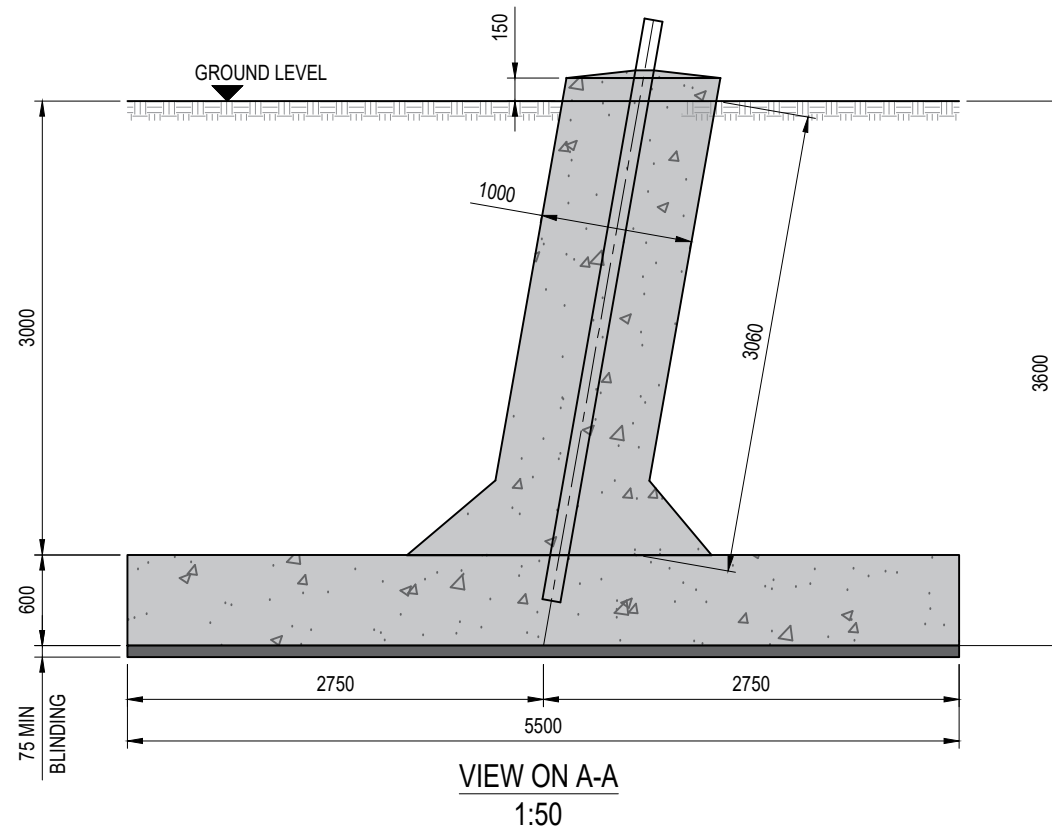
A  
B  
C  
D  
E



'DT' SETTING OUT DIAGRAM  
1:150

SETTING OUT DIMENSIONS				
TOWER	A	B	C	D
M3	5412	7654	3570	5050
DT STD	6513	9211	4120	5830
E3	7614	10768	4670	6610
E6	8715	12325	5225	7385
E9	9816	13882	5775	8165
E12	10917	15439	6325	8945

DT				
PAD SIZE (m)	COLUMN SIZE (m)	REINFORCEMENT (kg)	VOLUME (m³)	EXCAVATION VOLUME (m³)
3.75 x 3.75 x 0.5	0.5 x 0.5 x 3.0	500	7.78	49.2
TOTAL:		2000	31.12	196.875



VIEW ON A-A  
1:150

FOR CONSULTATION PURPOSES ONLY

ISSUE	DATE	COMMENTS	DRAWN	CHK'D	APP'D
A	16/12/24	FOR INFORMATION	GH	RA	AR

PROJECT:  
VYRNWY FRANKTON CONNECTION PROJECT



TITLE:  
INDICATIVE FOUNDATION DRAWING  
L7(C) DT TYPE

CIRCUIT / SITE: \_\_\_\_\_ DWG

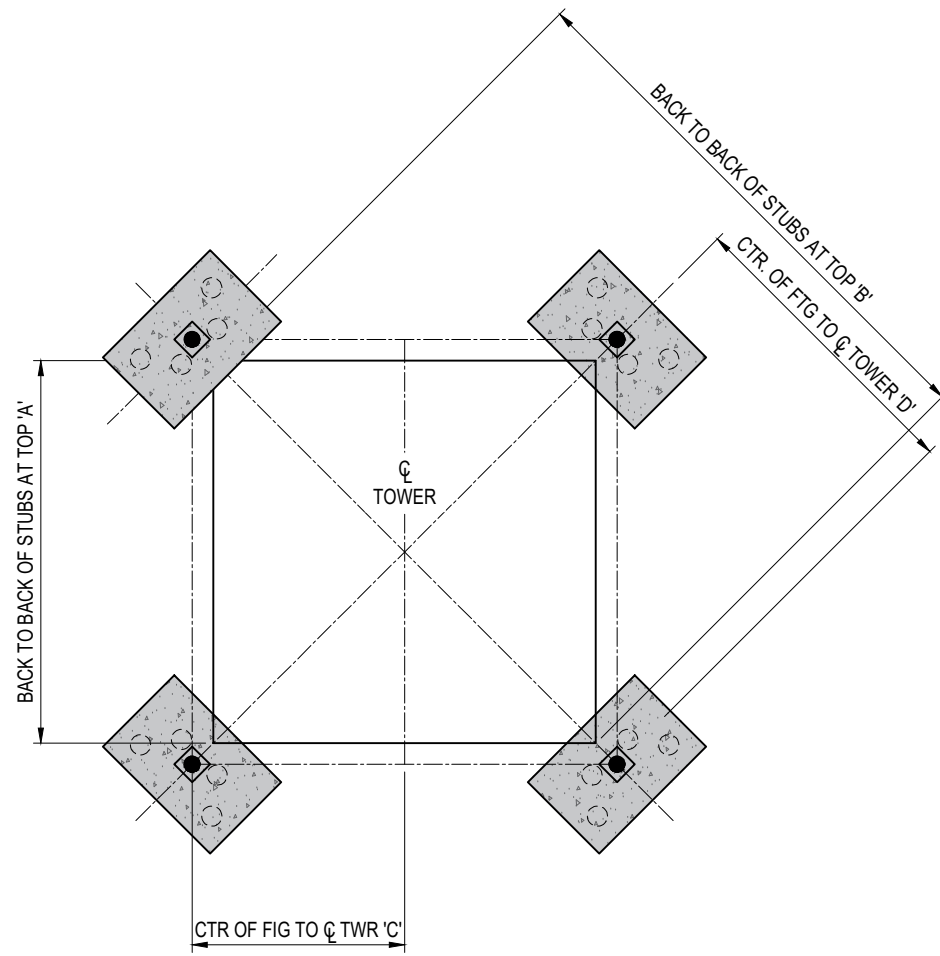
ORIGINATOR DRAWING No:  
331201487-STN-17-XX-GA-OH-243 A3

GGENC DRAWING No: \_\_\_\_\_ SHEET: 01 OF: 01 ISSUE: A

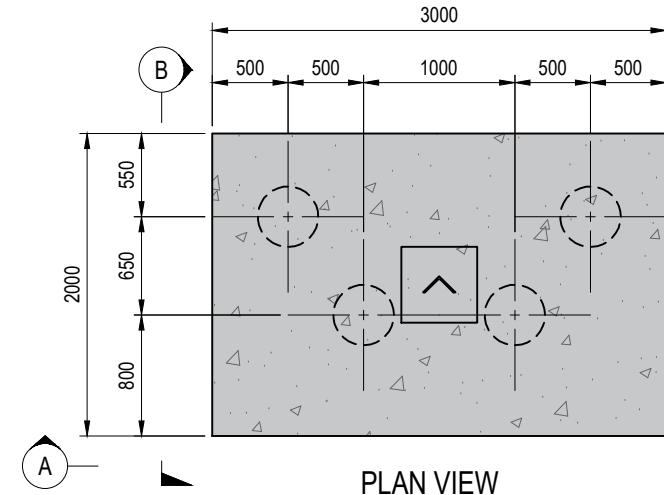
SCALE: AS SHOWN

GENERAL NOTES:

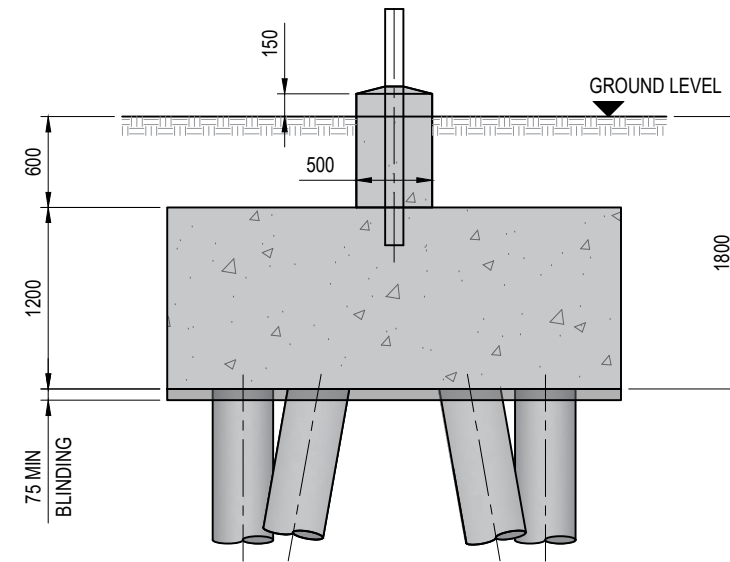
1. ALL DIMENSIONS ARE IN MILLIMETERS



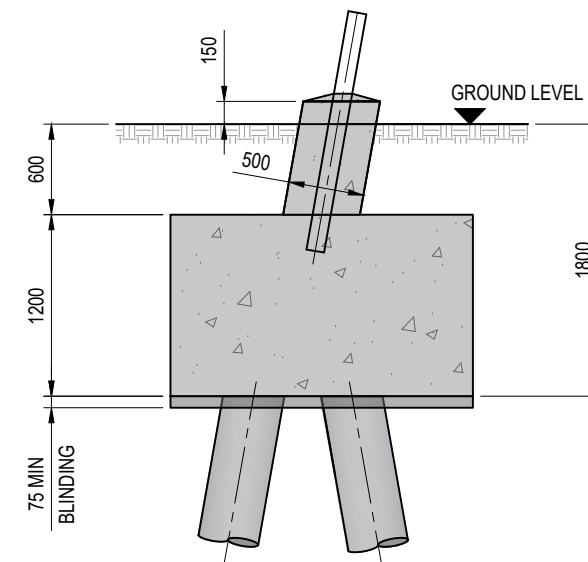
'D' SETTING OUT DIAGRAM  
1:150



PLAN VIEW  
1:50



VIEW ON A-A  
1:50



VIEW ON B-B  
1:50

SETTING OUT DIMENSIONS				
TOWER	A	B	C	D
M3	3905	5523	2370	3350
D STD	4642	6564	2740	3870
E3	5378	7607	3110	4390
E6	6115	8648	3475	4920
E9	6852	9689	3840	5440
E12	7588	10732	4210	5960
E15	8325	11773	4580	6480
E18	9061	12814	4950	7000

FOR CONSULTATION PURPOSES ONLY

ISSUE	DATE	COMMENTS	DRAWN	CHK'D	APP'D
A	16/12/24	FOR INFORMATION	GH	RA	AR

PROJECT:  
VYRNWY FRANKTON CONNECTION PROJECT



TITLE:  
INDICATIVE PILE FOUNDATION DRAWING  
L7(C) DT TYPE

CIRCUIT / SITE: \_\_\_\_\_ DWG

ORIGINATOR DRAWING No:  
331201487-STN-17-XX-GA-OH-244 A3

GGENC DRAWING No: \_\_\_\_\_ SHEET: 01 OF: 01 ISSUE: A

SCALE: AS SHOWN